



Order designation

Radar MultiView RMV | RMV-D2

Intelligent measuring 2-D radar, which uses modulation processes to generate a total of five measurement data in order to perfectly control the opening phase (time and duration of opening) of automatic doors as required and in an energy-saving manner.

Art.-No. 10001471

Features

- Large detection area
- Opening impulse is available as a semiconductor relay output
- The opening time and duration of the automatic door (swing door) are determined by the opening impulse
- Cross traffic suppression
- Energy savings also for existing systems
- Parameterization via WEB interface and USB

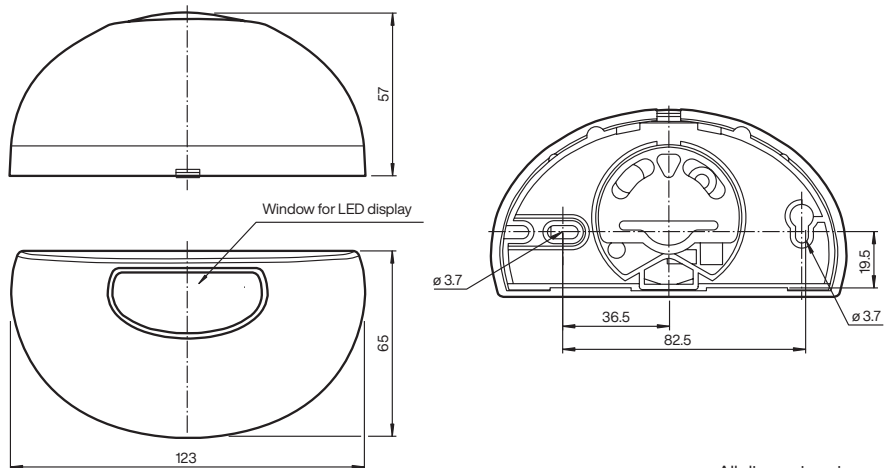
Applications

- Ideal for retrofit business
- Simple connection concept

Approvals and certificates

- 2014/53/EU: This device may be operated in all countries of the European Union. In other countries, the applicable national regulations must be applied.

Dimensions



Technical Data

General Specifications	
Function principle	Measuring Radar with 3 operating ranges: Sensing range: determined by the mounting height Activation area: adjustable to application via software parameters Close area: adjustable to application via software parameters
Mounting position	Above the door, in the middle, left or right; integrated mounting aid with IMU for all 3 spatial angles
Mounting height	Min. 2 m; max. 4 m
Detection speed	Min. 0.1 m/s, max. 8.0 m/s
Setting angle	Vertical: -90° ... +90°
Operating frequencies	24.150 GHz; can be switched to 24.050 GHz and 24.250 GHz; enables the operation of 3 radar units mounted close to each other
Radar radiation angle	34° x 80°
Minimum sensing range	f (H, α) indication via Interface
Cross-traffic suppression	Adjustable: on (100%, no triggering), middle (50%), off (0%)
Opening speed of the door	Adjustable in [m/s]
Transmitter radiated power (EIRP)	< 20 dBm
Parameter setting	Via radio, WLAN (OTA), USB
Integrated temperature	°C / °F / °K, output via interface
Approvals and certificates	CE; UL
Indicators / Operating elements	
Function indicator	1 x LED (rgb) Brightness: adjustable Ready for operation: LED flashes green - 10 s Ready for operation: LED is off, does not light up Approach: LED flashes yellow Output set: LED lights up red Parameterization: LED lights up blue, data connection established Error display: LED lights up white, flashing pattern
Control elements	None
Electrical specifications	
Operating voltage	AC: 8 ... 35 V AC +/- 10% DC: 8 ... 45 V DC +/- 10%
Power consumption	< 2.5 W

Technical Data

Connections	
USB C	1 x USB C female connector on board
Screw terminal	1 x voltage, 1 x relay
Extension	1 x internal connector
Connection cable set	
USB cable	2 m (not included in delivery)
cable, 4 pin plug	4 m (included in delivery)
Output	
	All short circuit protected, normally open/closed (NO/NC), configurable via events
Signal output	Solid-state relay
Switching voltage	Up to 60 V AC/VDC
Switching current	Max. 0.5 A
Holding time	Adjustable in [s]
Events	Events can be assigned to outputs via parameter setting. Triggering in people, fast opening, turtle opening, counting of people at the door, temperature control.
Digital interface	
ESP-NOW	Short range protocol, max. 25 m
Ambient conditions	
Special features	Resistance against weather and vibrations
Operating temperature	-40 ... 80° C (-40 ... 176° F)
Storage temperature	-40 ... 80° C (-40 ... 176° F)
Relative humidity	Max. 90% non condensing
Mechanical specifications	
Degree of protection	IP54
Housing	ABS, black
Mass	650 g
Dimensions	123 mm x 65 mm x 57 mm
Parameter setting	
Method	All parameters can be set via WEB-Interface and USB
Operating ranges	Activation area: which is inside the sensing range and can be defined as a polygon with max. 8 points. Near area: which is also inside the sensing range and can be defined as well with max. 8 points. The close area focus the door to open in any case.